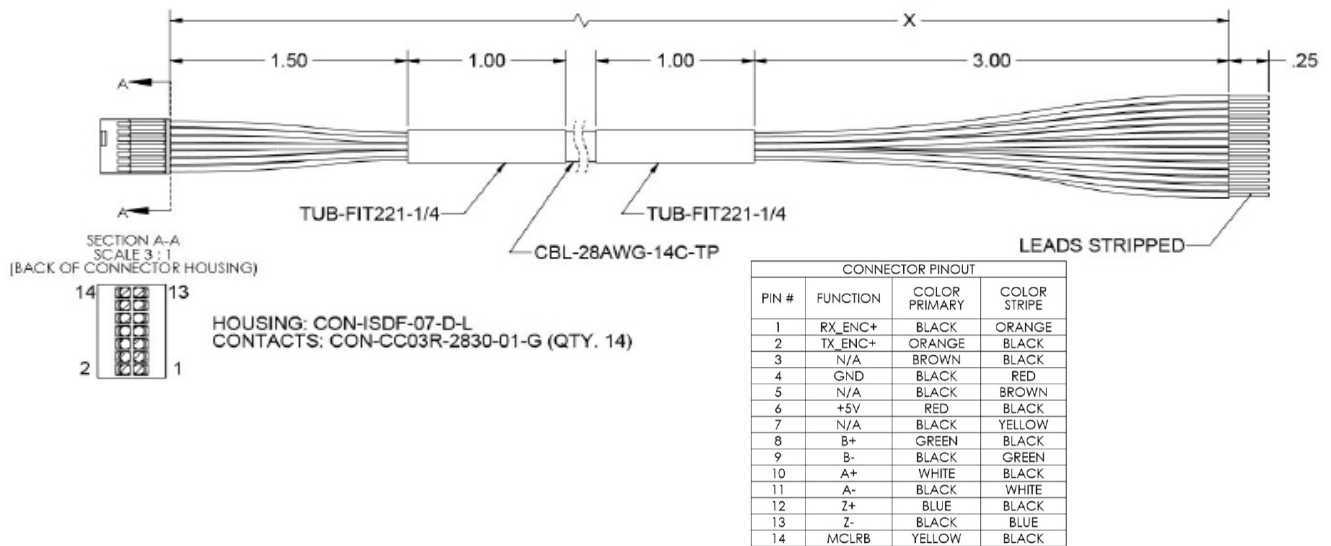


AMT113S & AMT113Q Encoder Cables

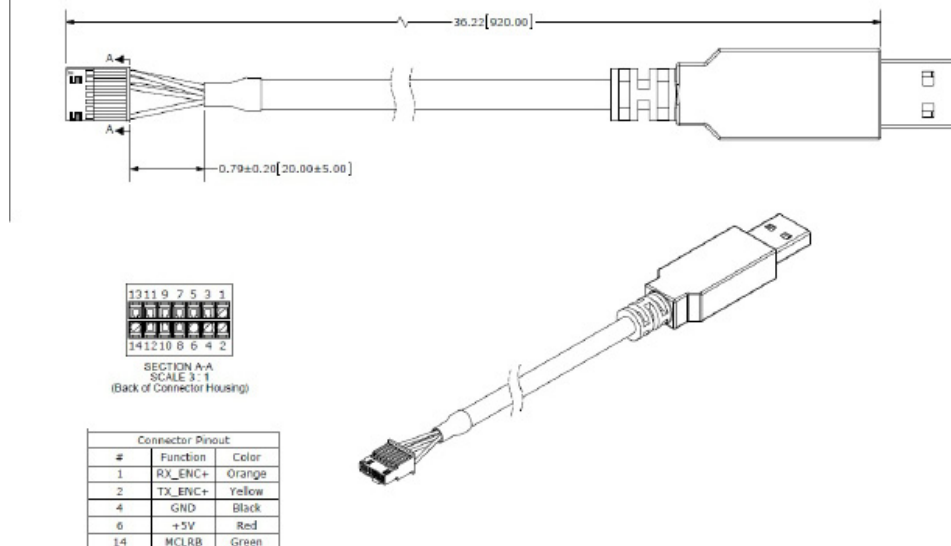
The following cables are recommended for use with Anaheim Automation and Cui's AMT113S and AMT113Q series encoders.

Item	Description	Length (inches)	Number of Leads
ENC-CBL-AA7061	Encoder Mating Cable	12	14
ENC-CBL-14C-1-036-USB	Encoder Programming Cable	36	14

ENC-CBL-AA7061



ENC-CBL-14C-1-036-USB



L011874

Page 1